



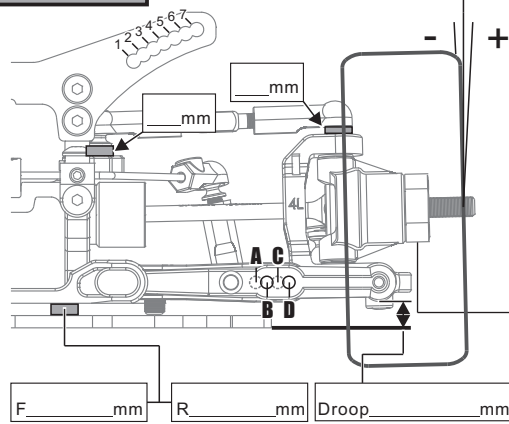
Setup Sheet



Name: _____ Date: _____ Event: _____

Track: _____ Track Condition: _____ Lap Time: _____ Final Position: _____

Front



Camber Angle +/- _____°

Caster Angle _____°

Ride Height _____mm

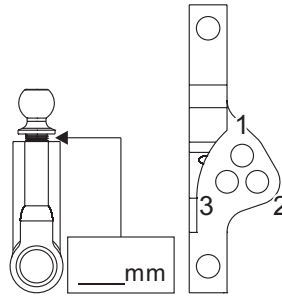
Sway Bar Ø _____mm

Wheel Hubs _____mm

Spacer _____mm

Front Diff Gear Spool

Diff Oil # _____



Shocks

Shock Oil # _____

Piston

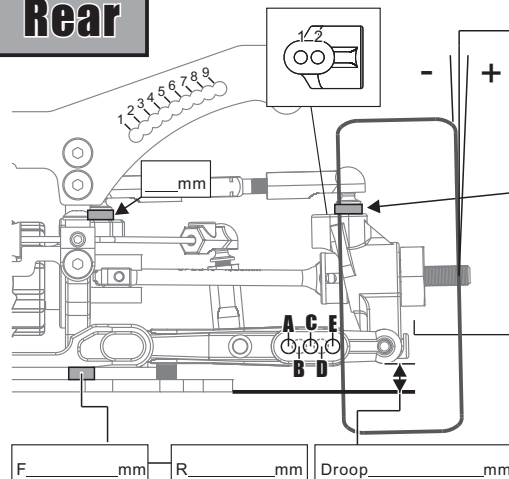
O-ring _____

Rebound _____

Spring _____

Length _____mm

Rear



Camber Angle +/- _____°

Ride Height _____mm

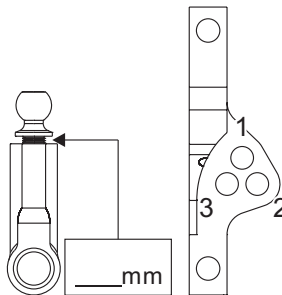
Shim _____mm

Sway Bar Ø _____mm

Wheel Hubs _____mm

Spacer _____mm

Rear Diff Oil # _____



Shocks

Shock Oil # _____

Piston

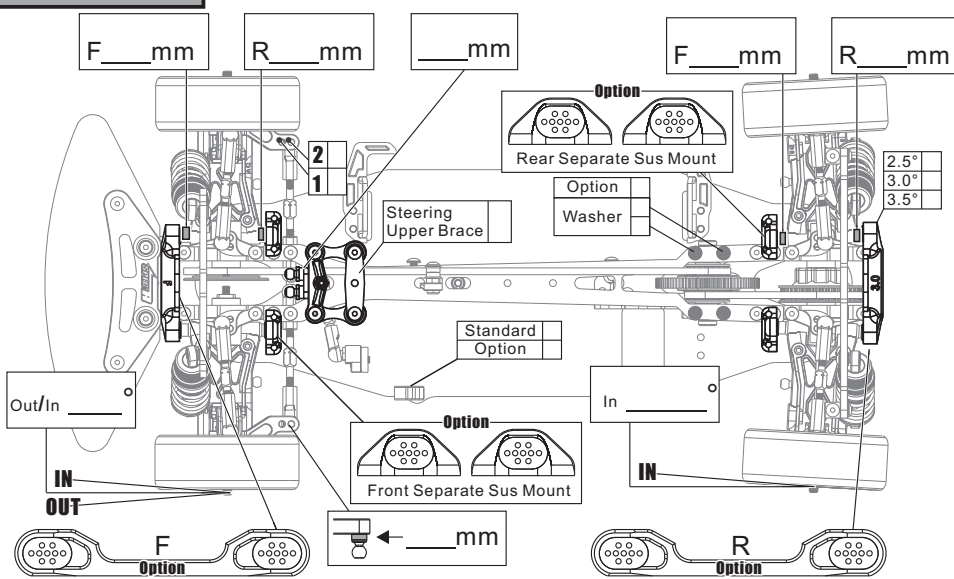
O-ring _____

Rebound _____

Spring _____

Length _____mm

Chassis



Tires

Brand: _____

Compound: _____

Insert: _____

Wheel: _____

Others

Motor: _____

Spur Gear: _____

Pinion Gear: _____

Battery: _____

ESC: _____

Body: _____

Wing: _____

Note: _____